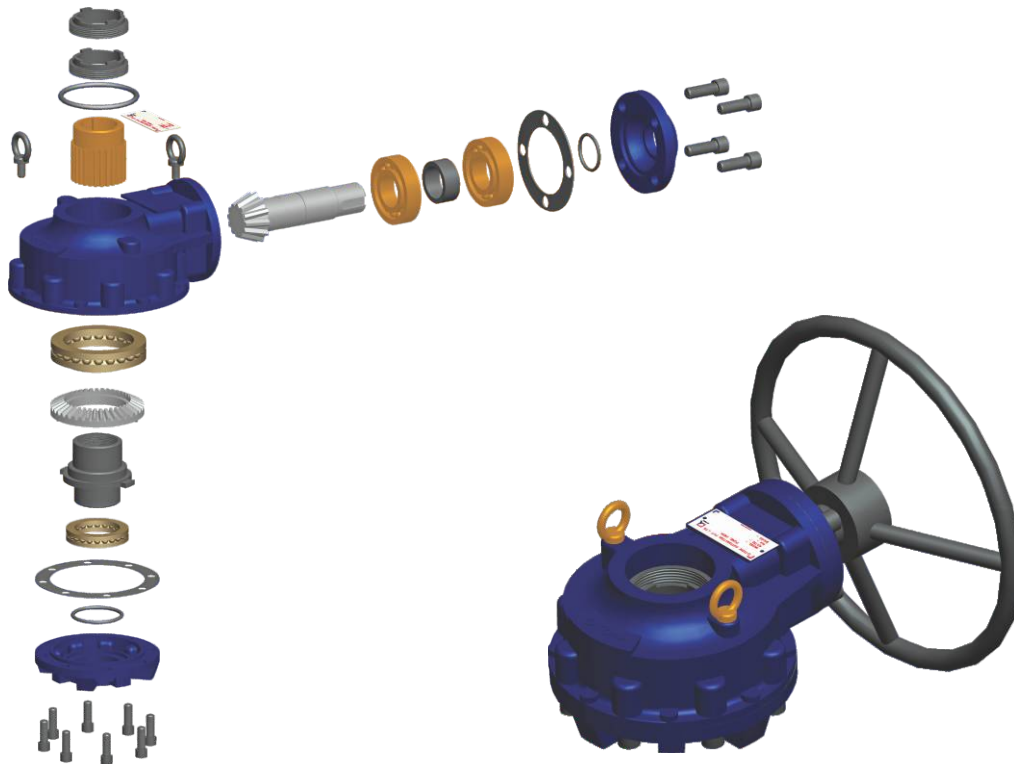




519 Series Multi-turn Bevel Gear Operators (STANDARD THRUST)



Multi-turn Bevel Gear Operators

Q-Tork 519 series bevel gear operators are suitable for manual as well as motorized operation

Application

519 Series operator are multi-turn bevel gear boxes are used in operation of Gate Valve, Globe Valve, Sluice Valve and penstock Valve.

Features & Benefits

- Ductile Iron - Housing, Base and End cap
- Alloy Steel - Gear and Pinion
- All critical components are heat treated to ensure longer serviceable life
- High Performance bearing
- Environmental friendly high performance grease
- Powder coated Handwheels for smooth and easy operation
- Epoxy Primer Coating
- Removable Stem Adaptor to facilitate spindle machining thereby enabling customer stocking
- Stem Adaptor - Al. Bronze
- Temperature range -30°C to + 120°C
- Light weight with rugged design

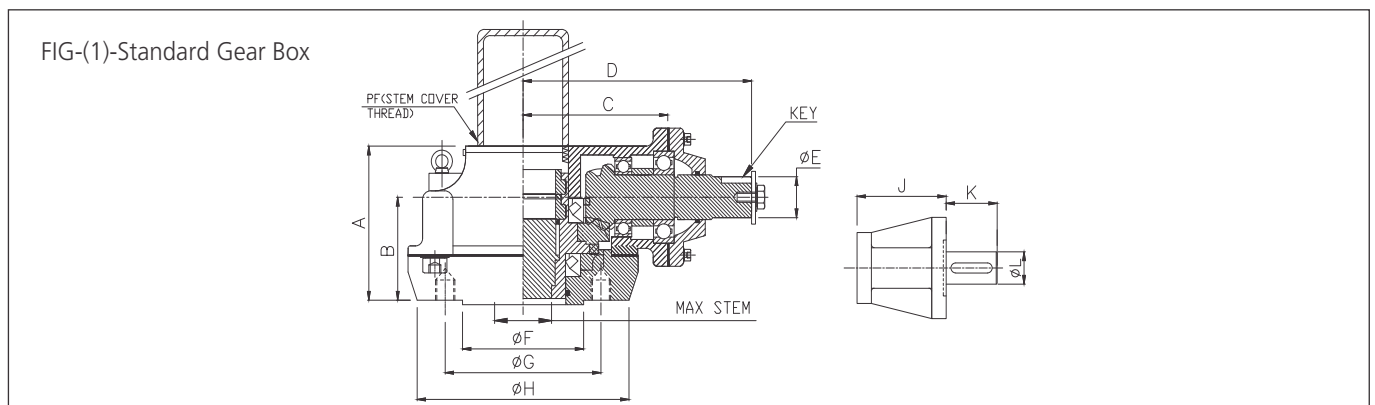
Optional

- Housing Materials - Carbon Steel, Cast Iron
- Locking arrangement
- Submersibility to IP67
- Grease High up to +260°C
- Grease Low up to -45°C

Material Specification

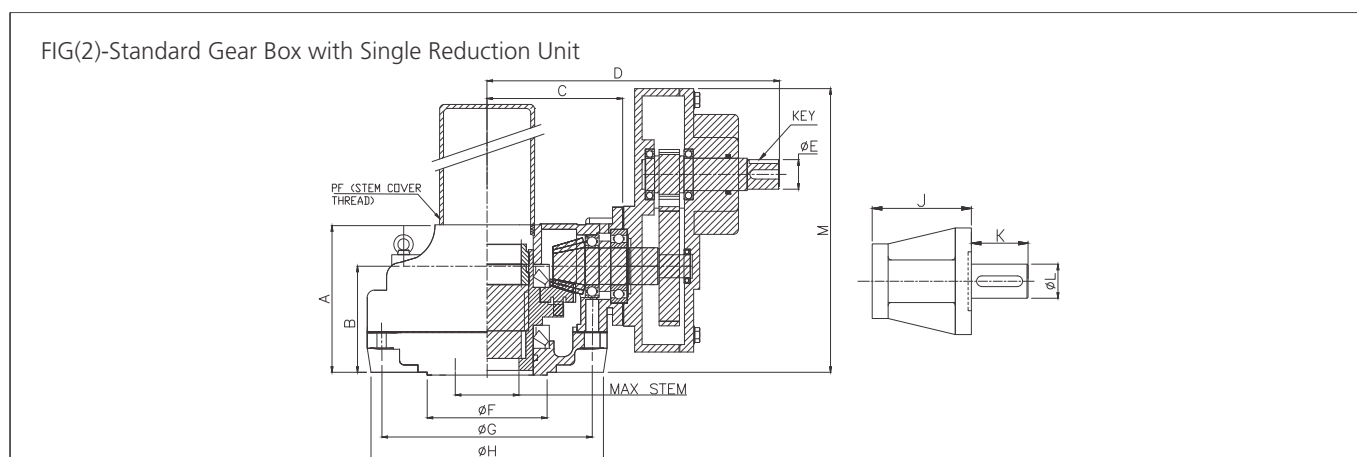
Sr. No	Job Description	Material Description	US Standard	IS Standard
1	Housing	Ductile Iron	A536-65-45-12	SG-450 / 10
2	Base	Ductile Iron	A536-65-45-12	SG-450 / 10
3	Bevel Gear	Carbon Steel	A576-1045 / A322-4140	AISI-1040 / AISI-4140
4	End Cap	Ductile Iron	A536-65-45-12	SG-450 / 10
5	Bevel Pinion	Carbon Steel	A576-1045 / A322-4140	AISI-1040 / AISI-4140
6	Drive Sleeve	Ductile Iron	A536-65-45-12	SG-450 / 10
7	Thrust Ball Bearing	Standard	—	—
8	O-Ring	Nitrile	—	—
9	Stem Nut	Bronze	B148 C95800	AB-2
10	Wrench Bolt	Alloy Steel	—	10.9 Gr.
11	Gasket	Cellulose fiber 60 Gr.	—	—
12	Ball Bearing	Standard	—	—
13	Dual Lock Nuts	Carbon Steel	A576-1045	AISI-1040
14	Eye Bolt	Carbon Steel	A307 GR.B	—
15	Handwheel	MS PIPE	—	—
16	Reduction Housing	Ductile Iron	A536-65-45-12	SG-450 / 10
17	Reduction Cover	Ductile Iron	A536-65-45-12	SG-450 / 10
18	Gear	EN19	A322-4140	AISI-4140
19	Pinion	EN19	A322-4140	AISI-4140
20	Idler Gear	EN19	A322-4140	AISI-4140

Dimensional Specifications



Sr. No	Models	A	B	C	D	ØE	Key	Stem Cover Thread	ØF	ØG	ØH	J	K	ØL	Actuator Mounting Flange
1	QTB-220	95	71	90	164	26	8x7	PF 2"	70	102	125	70	50	20	F10
2	QTB-370	106	76.6	104.5	178.5	26		PF 2 1/2"	70 85	102 125	125 150	70	50	20	F10
3	QTB-600	121	81	119.5	198.5	32	10x8	PF 2 1/2"	85 100	125 140	150 175	85	70	30	F14
4	QTB-980	140	98	130	210	32		PF 3"	100 130	140 165	175 210	85	70	30	F14
5	QTB-1500	160	115	147	231	32	12x8	PF 3 1/2"	130 140	165 205	210 250	85	70	30	F14
6	QTB-2500	167	119	167	252	32		PF 4"	200	254	300	85	70	30	F14
7	QTB-3500	196	138	217.5	319	38	16x10	PF 5"	230	298	350	106.5	90	40	F16
8	QTB-5200	240	165.5	248	351	38		PF 6"	230	298	350	120	90	40	F16
9	QTB-7800	253	182.5	286	387	38	16x10	PF 6"	260	356	415	120	90	40	F16
10	QTB-13000	279	201	321	441	50		PF 8"	300	406	475	120	90	40	F16

Dimensional Specifications



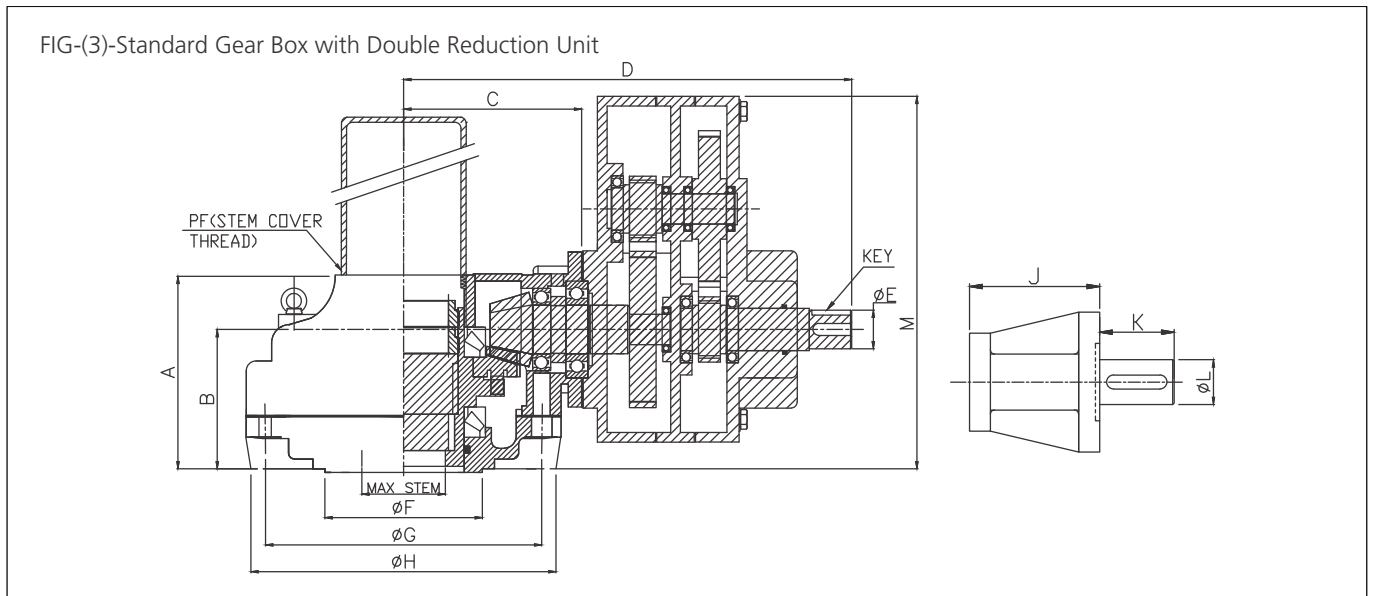
Spur Reduction Unit:-

Sr. No	Models	A	B	C	D	ØE	Key	Stem Cover Thread	ØF	ØG	ØH	M	J	K	ØL	Actuator Mounting Flange
1	QTB-600-1S1	121	81	119.5	291	32	10x8	PF 2 1/2"	85 100	125 140	150 175	256.5	85	70	30	F14
2	QTB-980-1S1	140	98	130	301.5	32		PF 3"	100 130	140 165	175 210	275	85	70	30	F14
3	QTB-1500-1S2	160	115	147	317	32		PF 3 1/2"	130 140	165 205	210 250	308	85	70	30	F14
4	QTB-2500-1S2	167	119	167	337	32		PF 4"	200	254	300	311	85	70	30	F14
5	QTB-3500-1S3	196	138	217.5	437	38	12x8	PF 5"	230	298	350	370	106.5	90	40	F16
6	QTB-5200-1S3	240	165.5	248	467	38		PF 6"	230	298	350	390	120	90	40	F16
7	QTB-7800-1S4	253	182.5	286	514	38		PF 6"	260	356	415	453	120	90	40	F16
8	QTB-13000-1S5	279	201	321	577	50	16x10	PF 8"	300	406	475	529	120	90	40	F16

Helical Reduction Unit:-

Sr. No	Models	A	B	C	D	ØE	Key	Stem Cover Thread	ØF	ØG	ØH	M	J	K	ØL	Actuator Mounting Flange
1	QTB-600-1H1	121	81	119.5	291	32	10x8	PF 2 1/2"	85 100	125 140	150 175	256.5	85	70	30	F14
2	QTB-980-1H1	140	98	130	301.5	32		PF 3"	100 130	140 165	175 210	275	85	70	30	F14
3	QTB-1500-1H2	160	115	147	317	32		PF 3 1/2"	130 140	165 205	210 250	308	85	70	30	F14
4	QTB-2500-1H2	167	119	167	337	32		PF 4"	200	254	300	311	85	70	30	F14
5	QTB-3500-1H3	196	138	217.5	437	38	12x8	PF 5"	230	298	350	370	106.5	90	40	F16
6	QTB-5200-1H3	240	165.5	248	467	38		PF 6"	230	298	350	390	120	90	40	F16
7	QTB-7800-1H4	253	182.5	286	514	38		PF 6"	260	356	415	453	120	90	40	F16
8	QTB-13000-1H5	279	201	321	577	50		16x10	PF 8"	300	406	475	529	120	90	40

Dimensional Specifications



Spur Reduction Unit:-

Sr. No	Models	A	B	C	D	ØE	Key	Stem Cover Thread	ØF	ØG	ØH	M	J	K	ØL	Actuator Mounting Flange
1	QTB-600-2S1	121	81	119.5	343	32		PF 2 1/2"	85 100	125 140	150 175	256.5	85	70	30	F14
2	QTB-980-2S1	140	98	130	353.5	32	10x8	PF 3"	100 130	140 165	175 210	275	85	70	30	F14
3	QTB-1500-2S2	160	115	147	370	32		PF 3 1/2"	130 140	165 205	210 250	308	85	70	30	F14
4	QTB-2500-2S2	167	119	167	390	32		PF 4"	200	254	300	311	85	70	30	F14
5	QTB-3500-2S3	196	138	217.5	528	38		PF 5"	230	298	350	370	106.5	90	40	F16
6	QTB-5200-2S3	240	165.5	248	558	38	12x8	PF 6"	230	298	350	390	120	90	40	F16
7	QTB-7800-2S4	253	182.5	286	583	38		PF 6"	260	356	415	453	120	90	40	F16
8	QTB-13000-2S5	279	201	321	676	50	16x10	PF 8"	300	406	475	529	120	90	40	F16

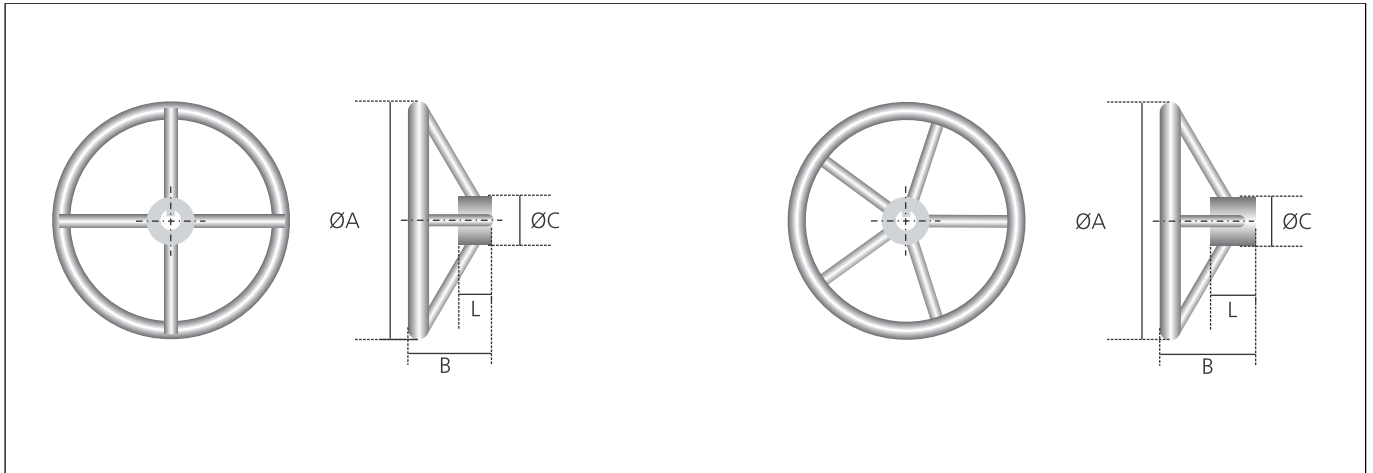
Helical Reduction Unit:-

Sr. No	Models	A	B	C	D	ØE	Key	Stem Cover Thread	ØF	ØG	ØH	M	J	K	ØL	Actuator Mounting Flange
1	QTB-600-2H1	121	81	119.5	343	32		PF 2 1/2"	85 100	125 140	150 175	256.5	85	70	30	F14
2	QTB-980-2H1	140	98	130	353.5	32	10x8	PF 3"	100 130	140 165	175 210	275	85	70	30	F14
3	QTB-1500-2H2	160	115	147	370	32		PF 3 1/2"	130 140	165 205	210 250	308	85	70	30	F14
4	QTB-2500-2H2	167	119	167	390	32		PF 4"	200	254	300	311	85	70	30	F14
5	QTB-3500-2H3	196	138	217.5	528	38		PF 5"	230	298	350	370	106.5	90	40	F16
6	QTB-5200-2H3	240	165.5	248	558	38	12x8	PF 6"	230	298	350	390	120	90	40	F16
7	QTB-7800-2H4	253	182.5	286	583	38		PF 6"	260	356	415	453	120	90	40	F16
8	QTB-13000-2H5	279	201	321	676	50	16x10	PF 8"	300	406	475	529	120	90	40	F16

Multi-Turn Bevel Gear Box Selection Data

Sr. No	Models	Max. Output Torque		Mechanical Advantage +/-10%	Gear Ratio	Max. Thrust (Standard)		Max. Thrust (Medium)		Max. Stem Acceptance		ISO 5211 Valve Mounting	Recommended Handwheel Dia (mm)
		Nm	Ft. lbf			KN	lbf	KN	lbf	KEY	THREAD		
1	QTB-220	220	162	2.4	2.5:1	75.5	16970	166	37318	20 (8X7)	26	F10	250
2	QTB-370	370	273	2.9	3:01	113	25400	300	67443	32 (10X8)	40	F10, F12	300
3	QTB-600	600	442	3.1	3.25:1	127	28550	335	75311	38 (12x8)	46	F12, F14	400
	QTB-600/1S1	600	442	6	6.5:1	127	28550	335	75311	38 (12x8)	46	F12, F14	400
	QTB-600/2S1	600	442	11.7	13:1	127	28550	335	75311	38 (12x8)	46	F12, F14	400
	QTB-600/1H1	600	442	6	6.5:1	127	28550	335	75311	38 (12x8)	46	F12, F14	400
	QTB-600/2H1	600	442	11.7	13:1	127	28550	335	75311	38 (12x8)	46	F12, F14	400
4	QTB-980	980	723	3.3	3.5:1	141	31700	365	82055	45 (14x9)	55	F14, F16	500
	QTB-980/1S1	980	723	6.3	7:1	141	31700	365	82055	45 (14x9)	55	F14, F16	500
	QTB-980/2S1	980	723	12.6	14:1	141	31700	365	82055	45 (14x9)	55	F14, F16	500
	QTB-980/1H1	980	723	6.3	7:1	141	31700	365	82055	45 (14x9)	55	F14, F16	500
	QTB-980/2H1	980	723	12.6	14:1	141	31700	365	82055	45 (14x9)	55	F14, F16	500
5	QTB-1500	1500	1106	3.8	4:1	190	42710	450	101164	52 (16x10)	62	F16, (F20)	630
	QTB-1500/1S2	1500	1106	9.3	10.13:1	190	42710	450	101164	52 (16x10)	62	F16, (F20)	630
	QTB-1500/2S2	1500	1106	23.7	25.67:1	190	42710	450	101164	52 (16x10)	62	F16, (F20)	630
	QTB-1500/1H2	1500	1106	9.3	10.13:1	190	42710	450	101164	52 (16x10)	62	F16, (F20)	630
	QTB-1500/2H2	1500	1106	23.7	25.67:1	190	42710	450	101164	52 (16x10)	62	F16, (F20)	630
6	QTB-2500	2500	1844	4.8	5:1	288	64750	680	152870	60 (18x11)	72	F25	710
	QTB-2500/1S2	2500	1844	11.7	12.66:1	288	64750	680	152870	60 (18x11)	72	F25	710
	QTB-2500/2S2	2500	1844	29.6	32.1:1	288	64750	680	152870	60 (18x11)	72	F25	710
	QTB-2500/1H2	2500	1844	11.7	12.66:1	288	64750	680	152870	60 (18x11)	72	F25	710
	QTB-2500/2H2	2500	1844	29.6	32.1:1	288	64750	680	152870	60 (18x11)	72	F25	710
7	QTB-3500	3500	2581	5.2	5.5:1	350	78680	735	165235	72 (20x12)	85	F30	800
	QTB-3500/1S3	3500	2581	15.2	16.5:1	350	78680	735	165235	72 (20x12)	85	F30	800
	QTB-3500/2S3	3500	2581	45.6	49.5:1	350	78680	735	165235	72 (20x12)	85	F30	800
	QTB-3500/1H3	3500	2581	15.2	16.5:1	350	78680	735	165235	72 (20x12)	85	F30	800
	QTB-3500/2H3	3500	2581	45.6	49.5:1	350	78680	735	165235	72 (20x12)	85	F30	800
8	QTB-5200	5200	3835	5.7	6:1	400	89920	1000	224809	84 (22x14)	98	F30	900
	QTB-5200/1S3	5200	3835	16.6	18:1	400	89920	1000	224809	84 (22x14)	98	F30	900
	QTB-5200/2S3	5200	3835	49.8	54:1	400	89920	1000	224809	84 (22x14)	98	F30	900
	QTB-5200/1H3	5200	3835	16.6	18:1	400	89920	1000	224809	84 (22x14)	98	F30	900
	QTB-5200/2H3	5200	3835	49.8	54:1	400	89920	1000	224809	84 (22x14)	98	F30	900
9	QTB-7800	7800	5753	6.2	6.5:1	510	114650	1340	301244	100 (28x16)	116	F35	900
	QTB-7800/1S4	7800	5753	21.1	22.94:1	510	114650	1340	301244	100 (28x16)	116	F35	900
	QTB-7800/2S4	7800	5753	74	80.31:1	510	114650	1340	301244	100 (28x16)	116	F35	900
	QTB-7800/1H4	7800	5753	21.1	22.94:1	510	114650	1340	301244	100 (28x16)	116	F35	900
	QTB-7800/2H4	7800	5753	74	80.31:1	510	114650	1340	301244	100 (28x16)	116	F35	900
10	QTB-13000	13000	9588	6.7	7:1	2310	519300	3100	696908	115 (32x18)	130	F40	1000
	QTB-13000/1S5	13000	9588	25.8	28:1	2310	519300	3100	696908	115 (32x18)	130	F40	1000
	QTB-13000/2S5	13000	9588	103.2	112:1	2310	519300	3100	696908	115 (32x18)	130	F40	1000
	QTB-13000/1H5	13000	9588	25.8	28:1	2310	519300	3100	696908	115 (32x18)	130	F40	1000
	QTB-13000/2H5	13000	9588	103.2	112:1	2310	519300	3100	696908	115 (32x18)	130	F40	1000

Handwheel Specification: With Keyway/with Hole(pin)



Sr. No	Handwheel Dia-A	Height-B	Bush OD	Dia-C	Bush Length-L	No.Of Spokes
1	250	90	70		35	4
2	300	90	70		35	5
3	400	90	70		35	5
4	500	90	70		35	5
5	630	90	70		35	5
6	710	90	70		35	5
7	800	130	80		45	6
8	900	130	80		45	6
9	900	130	80		45	6
10	1000	130	90		60	6

The information & specifications of this literature is believed to be accurate. It is supplied for informative purpose only and shall not be considered as guarantee or certificate for satisfactory result. As a part of continual improvement in its product design, specification and dimension is subject to change without notice. Should there be any question concerning this leaflet, the buyer / user should get in touch with Q-Tork Automation Pvt. Ltd. at any of its office locally / worldwide.

Q-Tork Automation Pvt. Ltd.

Manufacturers of:

- Quarter-turn Worm Gear Operators • Manual Override Gear Operators
- Quarter-turn Worm Gear Operators for Electrical Actuation • Multi-turn Bevel Gear Operators
- Quarter-turn Worm Gear Operators with Spline Bush • Multi-turn Worm Gear Operator with Spline Bush



Works : Gat No # 1083/1B, Markal, Tal. - Khed, Pune - 412 105. Maharashtra, INDIA.
 • cellular # +91 99 22 009715 • email # marketing@qtork.com • www.qtork.com